



— QUALITY —
**MADE IN
GERMANY**



HAAS ARTHOS

mobile Hammermill

Ideal combination to our TYRON primary shredder

IDEAL SOLUTION FOR THE SECONDARY SHREDDING OF:

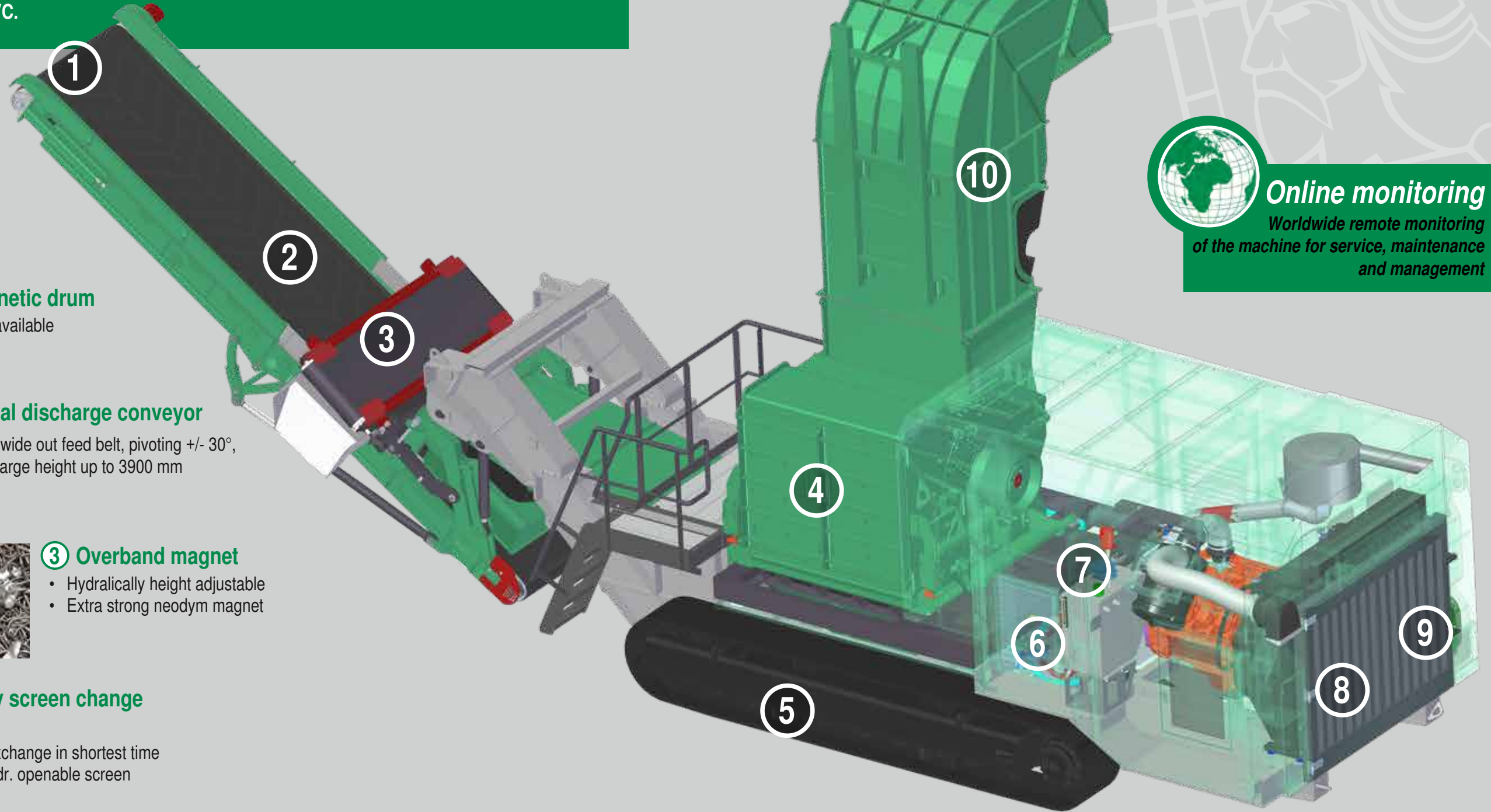
WASTE WOOD · GREEN WASTE · BIOMASS · PVC WINDOW FRAMES
BULKY AND INDUSTRIAL WASTE · PVC PROFILES AND PIPES



HAAS[®]
Recycling-Systems

ARTHOS 1600

The technology within, which has been used in our stationary operation for many years, will be mobile, on tracks and will effortlessly perform, even in the most difficult environments. In combination with the TYRON Slow Speed Shredder, the innovation from Dreisbach is capable of shredding waste wood, green waste, RDF and PVC.



Online monitoring
Worldwide remote monitoring of the machine for service, maintenance and management



1 Magnetic drum
Optional available



2 Radial discharge conveyor
1400 mm wide out feed belt, pivoting +/- 30°, with discharge height up to 3900 mm



3 Overband magnet

- Hydraulically height adjustable
- Extra strong neodym magnet



4 Easy screen change system
Screen exchange in shortest time due to hydr. openable screen basket.



4 HAAS hammer system
Minimize the fine fraction.

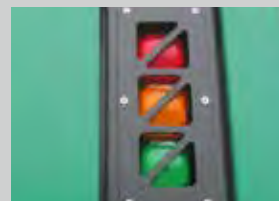


6 Multi-functional display
Multi-functional coloured display for operating and controlling the machine, as well as interpreting machine data.



5 Tracks

- Easy onsite manoeuvrability
- Optional rubber shoes



7 Traffic light system
Easy recognition of the machine operation mode



8 Remote control

- Operating the tracks
- Hammermill Start/Stop
- Opening/closing screen
- Belt in/out tape
- Pivoting belt (optional)



9 Reversible fan

- Change-over fan for automatic cooler cleaning
- More cooling, more power, more benefits



10 Ballistic chute

- Impurities will be ejected automatically.
- Downtimes will be minimized and costs reduced.

Impurities



TECHNICAL DATA

Mobile Version	Infeed width	Infeed height	Rotor ø	Power	Throughput*
ARTHOS 1600	1600 mm	1200 mm	1200 mm	566 kW	up to 55 t/h

*Throughput for a final product size of about 60 to 80 mm with normal, continuous infeed and with an average contamination level.

